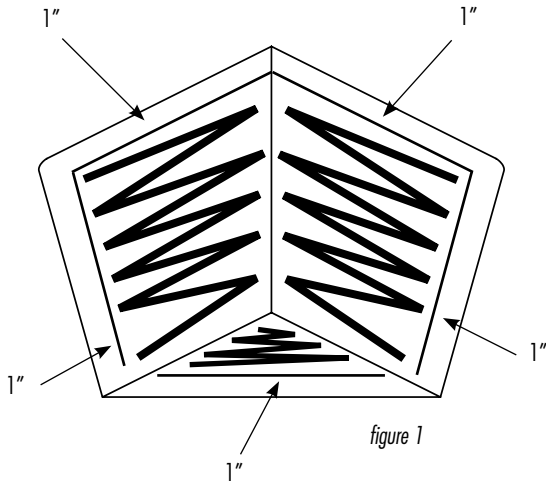


SHOWER BENCH INSTALLATION



TIME REQUIRED
1 -2 HR.

***Congratulations on the purchase of your Shower Bench!
These instructions will guide you through the installation.***

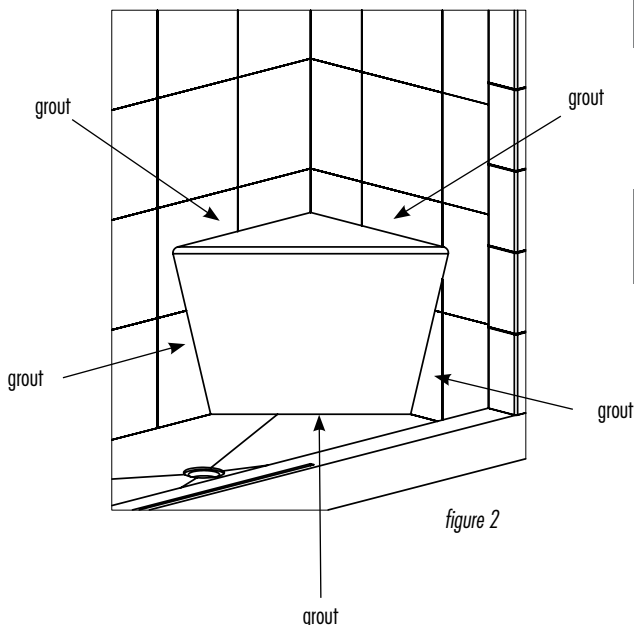


1. Clean all the surfaces of the bench and shower walls. Make sure they are completely dry before beginning installation.
2. Place bench into position. Due to variations in your existing walls and the slope of the shower pan you may need to place shims under the front edge of the bench to keep it firmly in place. Make sure the shims don't stick out from the bottom of the shower bench. You may also want to lightly sand the backside of the bench to better fit your wall surface.
3. Make sure the bench sits straight and secure before moving onto the next step. The grout line along the bottom edge may vary in size due to the slope of the shower pan.
4. Apply a thick bead of silicone bathroom sealant for caulking one inch from the edges of the bench that will contact the walls or the shower pan floor (*fig. 1*).

✓ **USE SILICONE BATHROOM SEALANT ONLY - DO NOT USE LIQUID NAILS**

5. Also apply a thick bead of silicone bathroom sealant in a zig zag pattern over the entire surface below that first bead (*fig. 1*).

✓ **Refer to silicone manufacturer's recommendations for application and drying time.**



6. Place the shower bench into position and apply pressure until it has securely bonded to the wall (*fig. 2*). You may want to use a brace to hold the shower bench in position.
7. After the bench is securely bonded to the walls, apply grout into the joints between the bench, walls, and floor (*fig. 2*).
8. Use a clean damp sponge to wipe away excess grout. Allow the grout and silicone time to cure before use.