

B1-1600 Princess



American Bath Factory
DECADES OF DEPENDABILITY

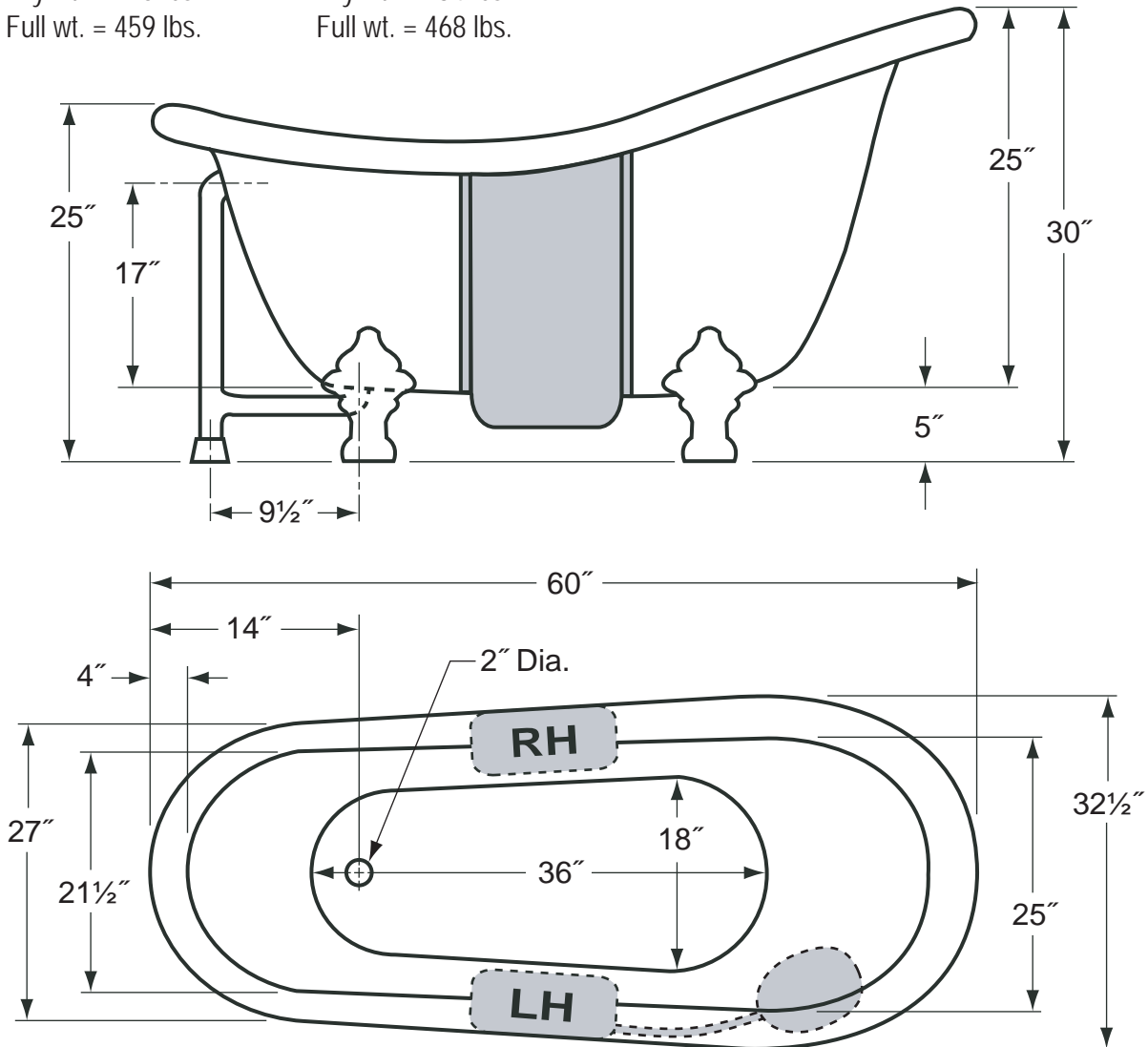
SPECIFICATION SHEET

Slipper Clawfoot Bathtub

Overall Dimensions: 60" L x 32½" W x 30" H

Capacity: 40 Gallons

Weight: Without Champagne: With Champagne:
 Dry wt. = 125 lbs. Dry wt. = 134 lbs.
 Full wt. = 459 lbs. Full wt. = 468 lbs.



- Shaded areas only included on models with Champagne Massage®.
- Choose "LH" (Left Hand) or "RH" (Right Hand) blower location when ordering a slipper bathtub with Champagne Massage®.
- Champagne Massage® blower unit (12"L x 7"W x 10"H) is connected with a three foot adjustable hose and fits within the overall dimensions of the bathtub.
- The illustration above is shown with the standard F5-5711 Waste & Overflow. See individual specification sheets for other waste & overflow models.
- Dimensions shown have a tolerance of ± ½". Dimensions shown not to scale.
- See Clawfoot Guide for detailed installation instructions.

